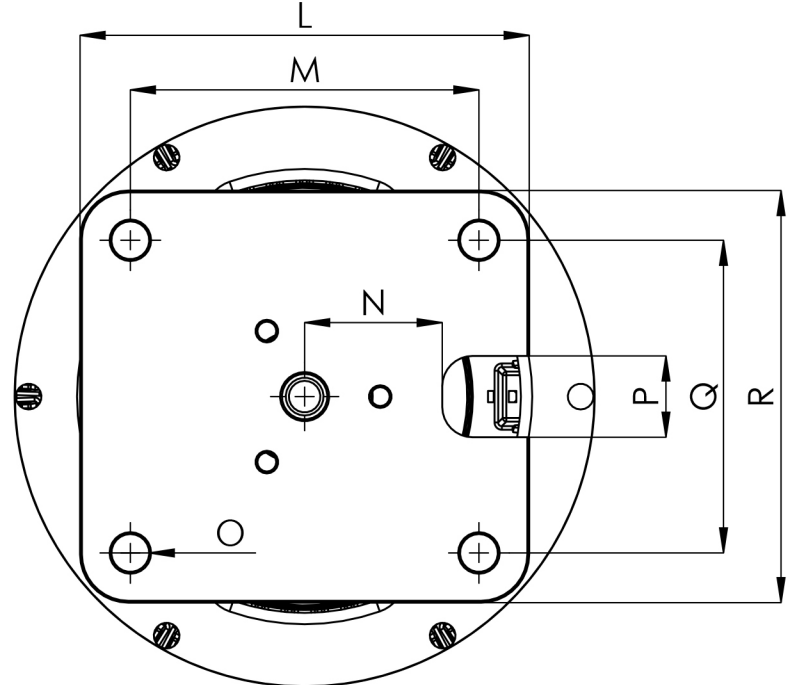
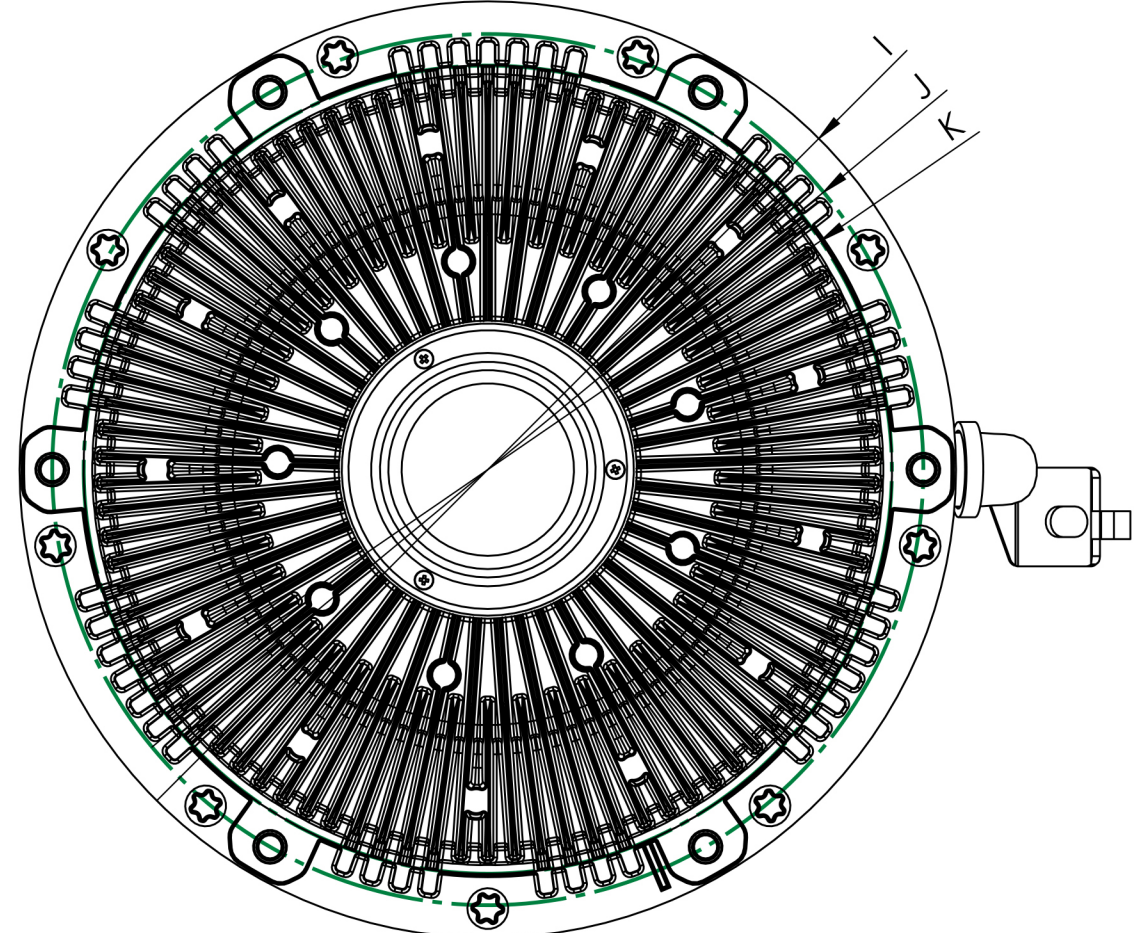
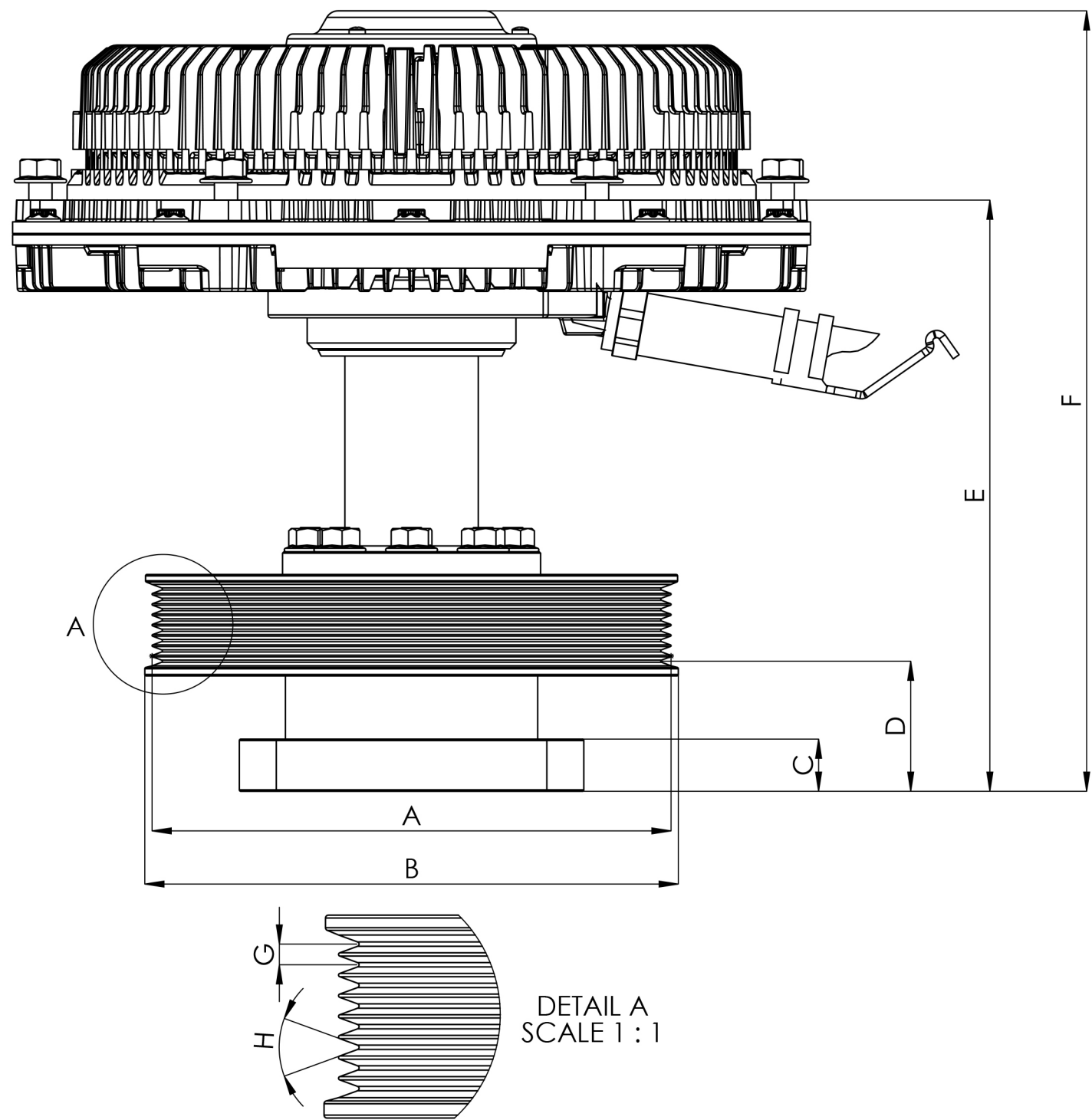


1 2 3 4 5 6 7 8

A  
B  
C  
D  
E


A  
B  
C  
D  
E



Dimensional values	FAN CLUTCH				PULLEY BASE			
	Ref.n°	Value	Ref.n°	Value	Ref.n°	Value	Ref.n°	Value
A	Ø 179 +/- 0.2 mm	G	7 x 3.56 mm	L	118.8 mm	R	108.5 mm	
B	Ø 184 +/- 0.2 mm	H	40°	M	92.2 mm			
C	18 mm	I	Ø 275.2 mm	N	36.4 mm			
D	48.9 +/- 0.5 mm	J	Ø 256 +/- 0.5 mm	O	4 x M10			
E	204 mm +/- 0.5	K	Ø 237.5 0 -0.3 mm	P	21.5 mm			
F	269.3 mm +/- 1			Q	82.7 mm			

Modification	n°	Modified	Date	Reason
	4			
3				
2				
1				

Comments

<b>Drawn</b>		
13/06/23 E.O		
<b>Checked</b>		
13/06/23 R.U		
<b>General Tolerance</b>	<b>Assembly</b>	Technical sheet
ISO 2768 m-H	<b>Part name</b>	<b>FAN CLUTCH</b>
<b>Material</b>	<b>ID. Reference</b>	8521430
	<b>Scale:</b> 1/2	
	<b>Review:</b> 0	

Sheet 1/1

1 2 3 4 5 6 7 8